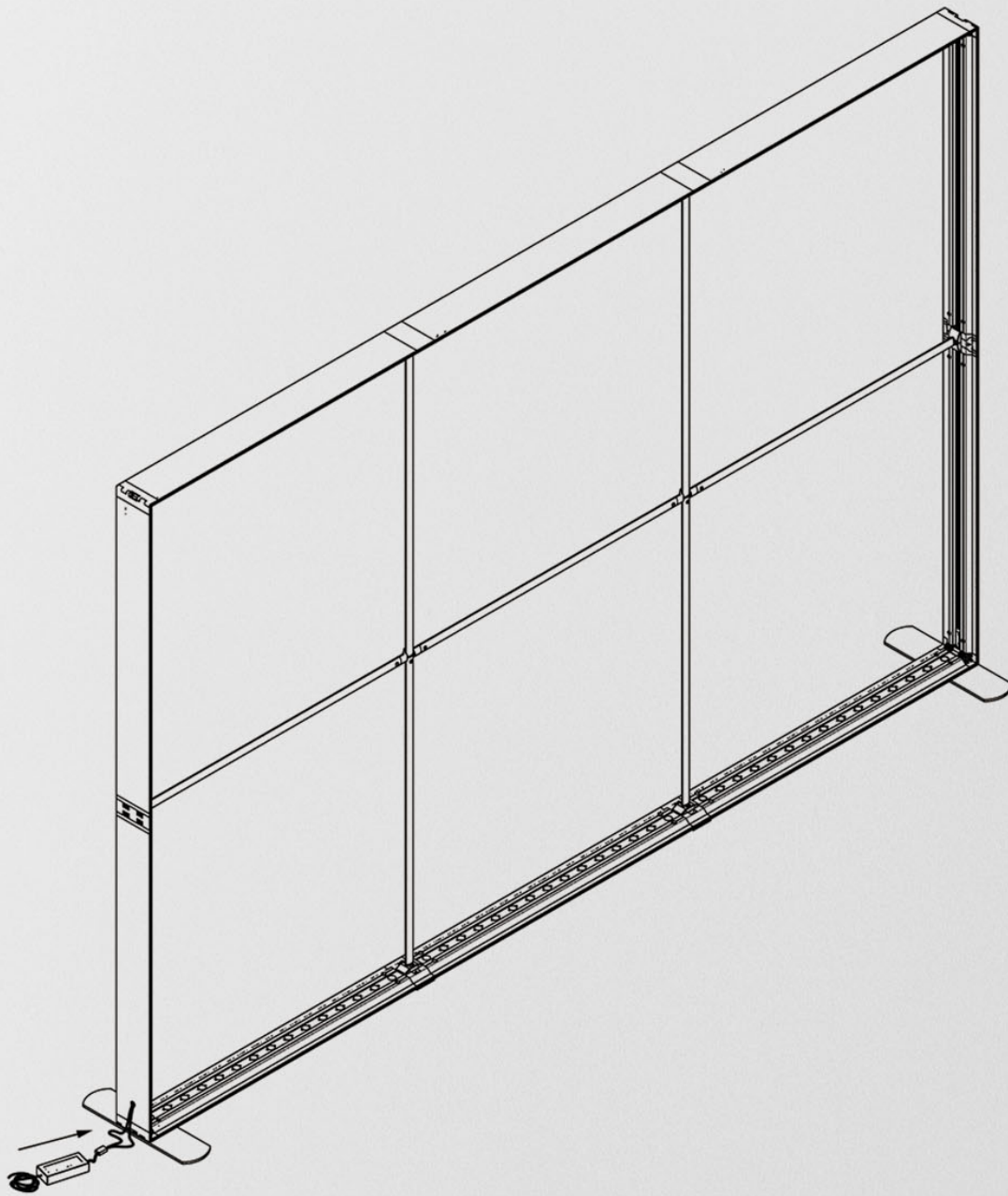


PDF

3000mm

Expand Foldable Lightbox

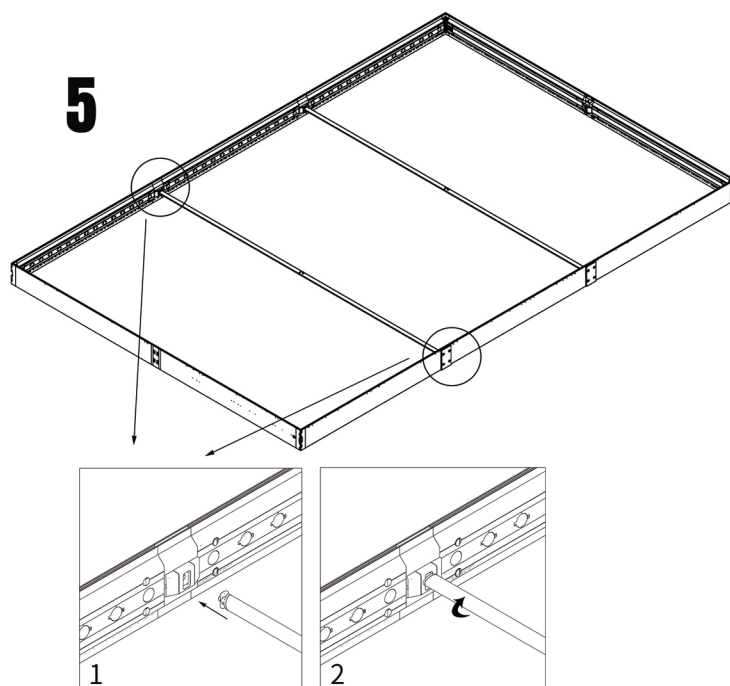
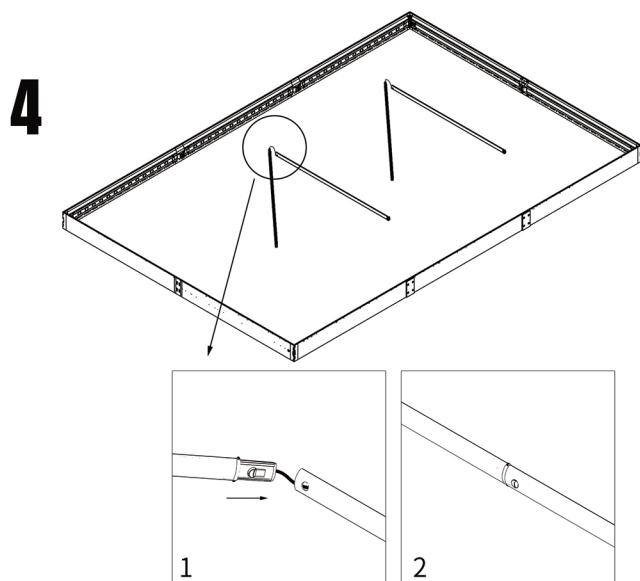
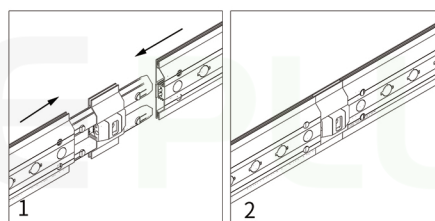
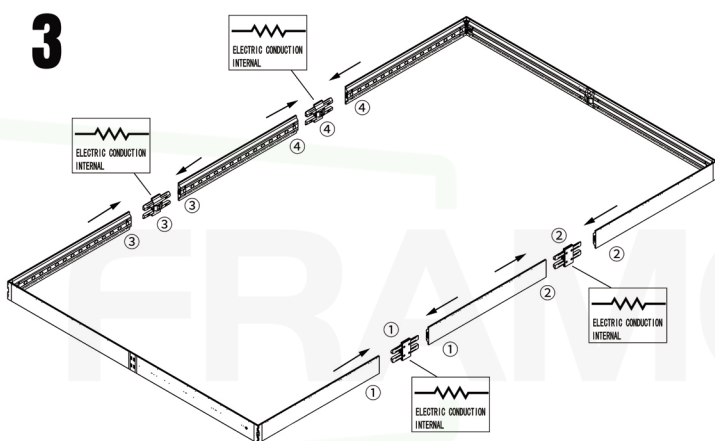
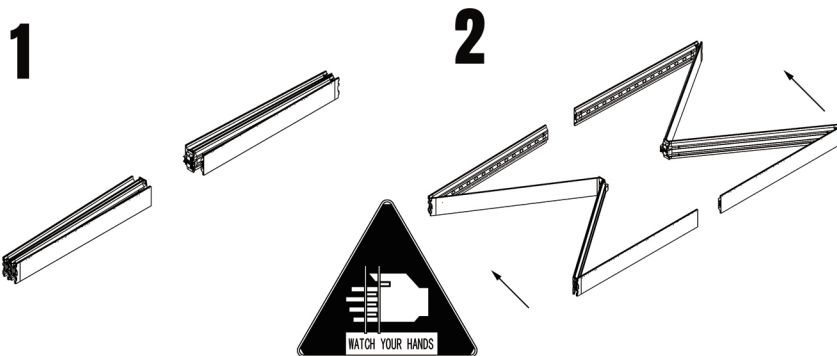
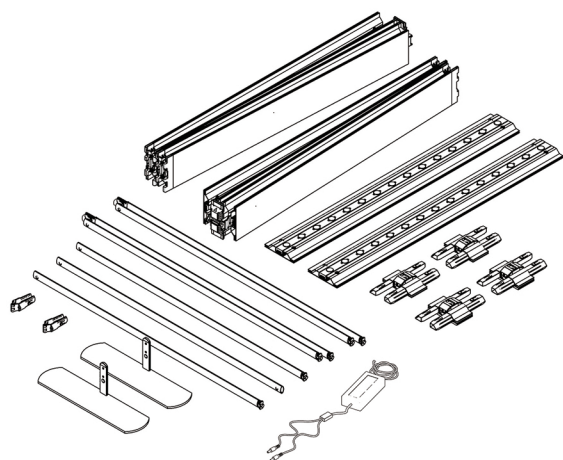
Installation Guide



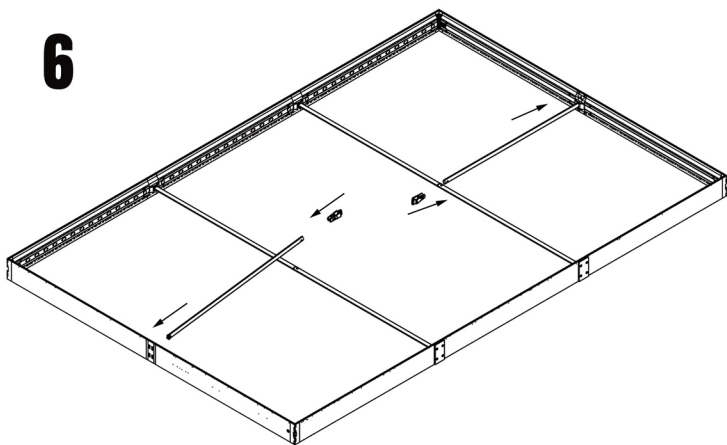
INSTRUCTION

LIGHT BOX(3000x2000/2250/2500)

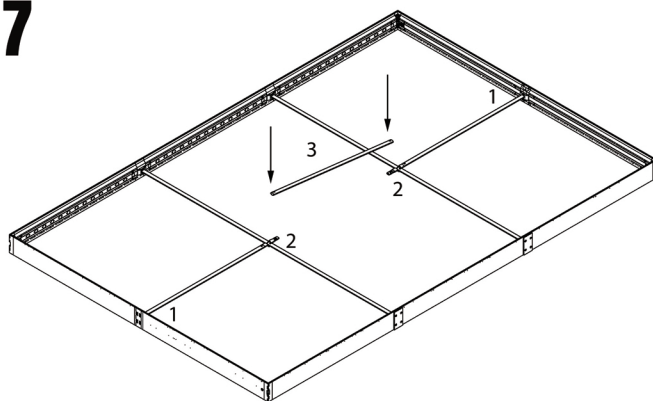
1. Remove all accessories from the packaging and place them on the ground.
2. Before assembly, ensure that there is sufficient space and that there are no pedestrians in the vicinity.
3. Be sure to assemble the light box on the ground.



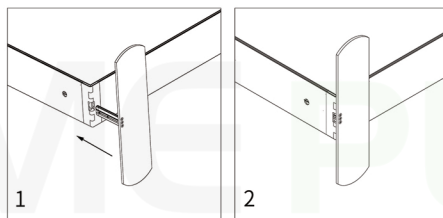
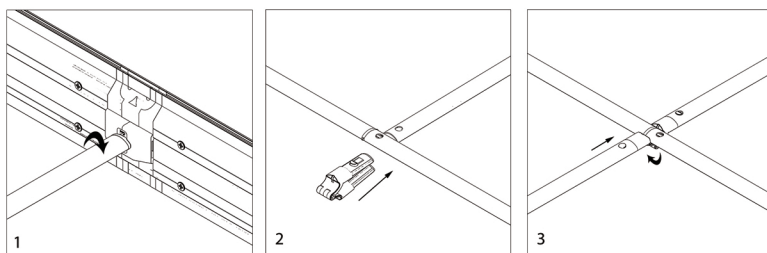
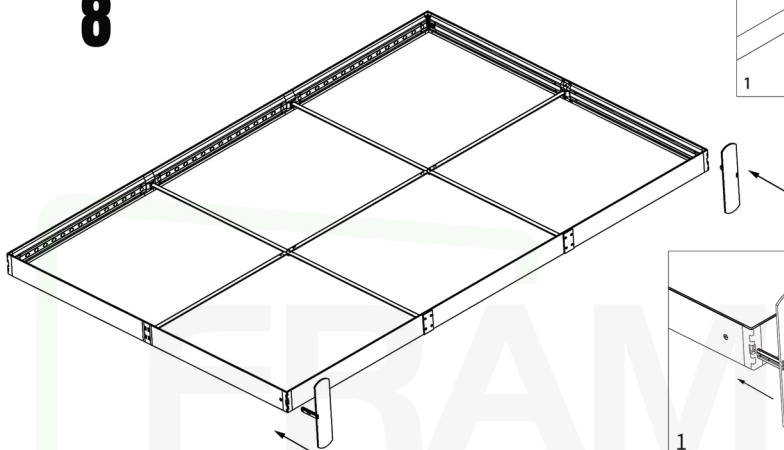
6



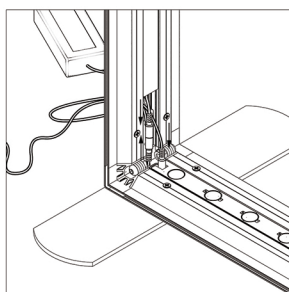
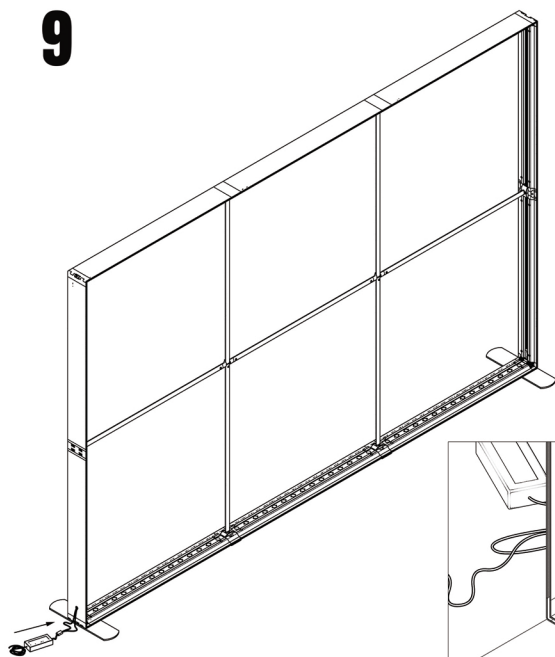
7



8

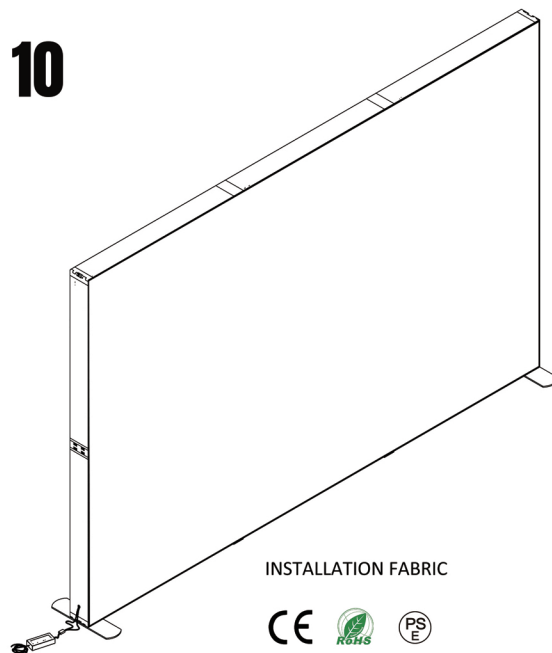


9



CONNECT THE POWER CORD

10



INSTALLATION FABRIC

