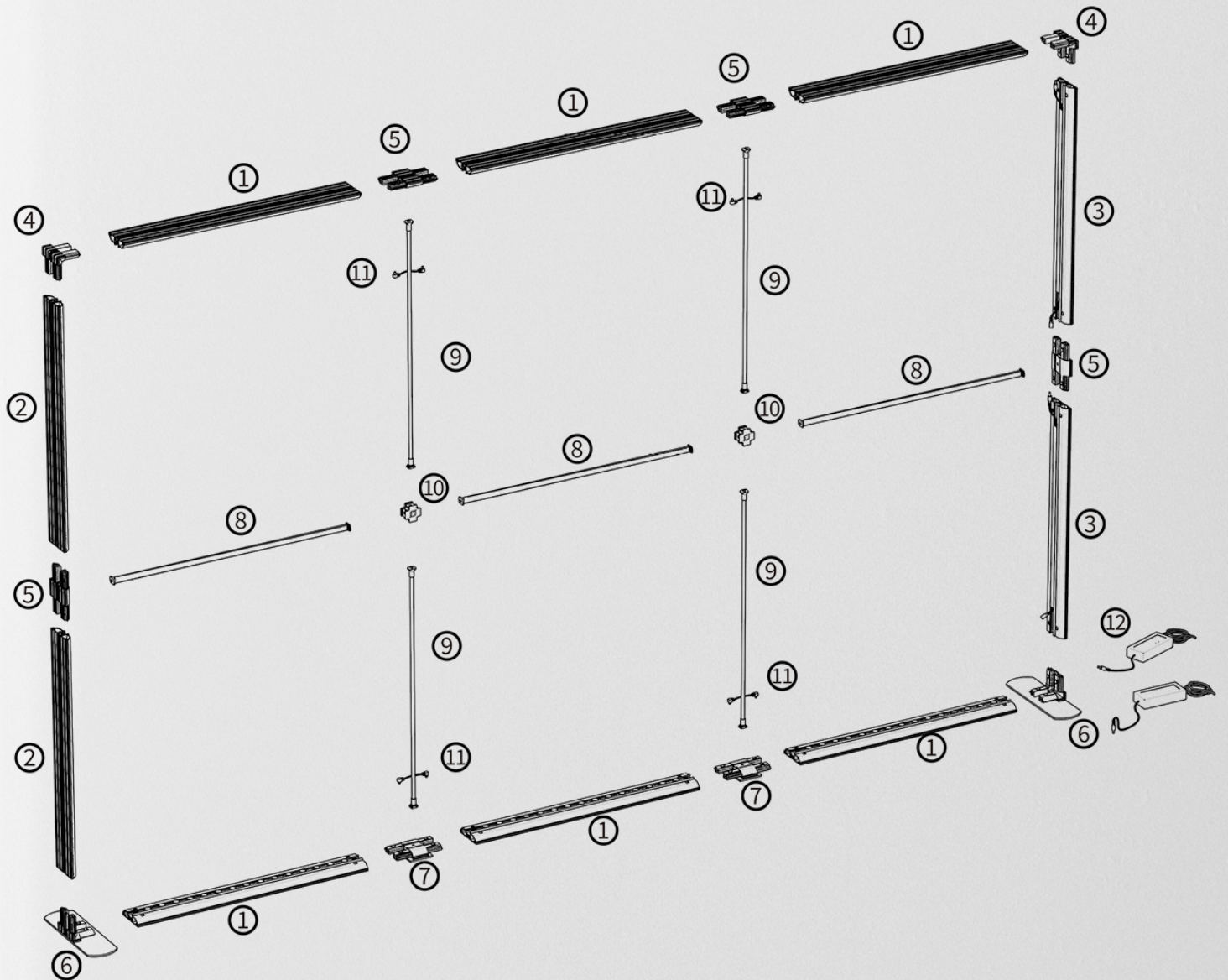
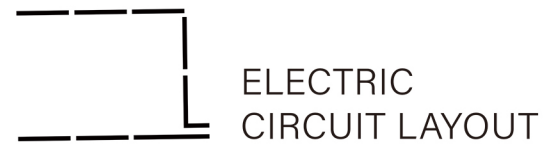
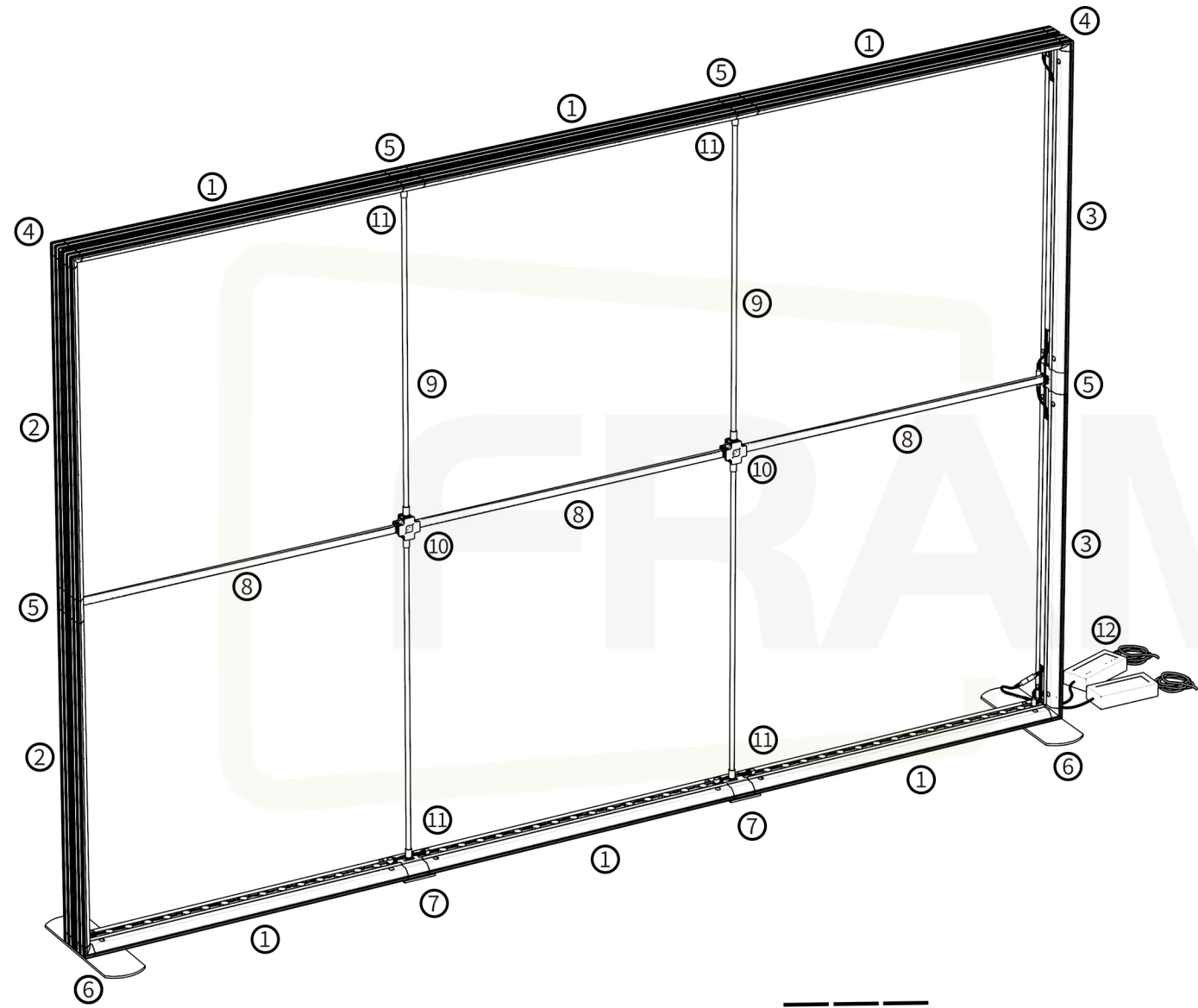


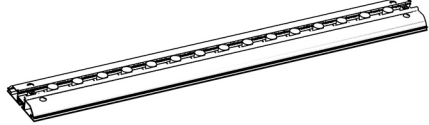

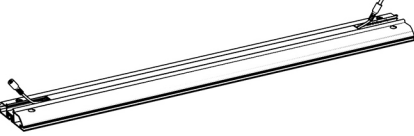
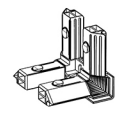
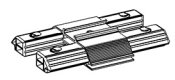
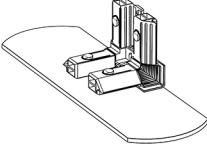
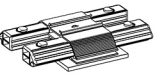


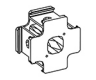

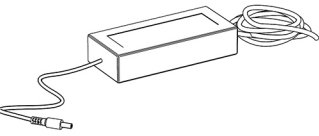
3000mm SEG Lightbox

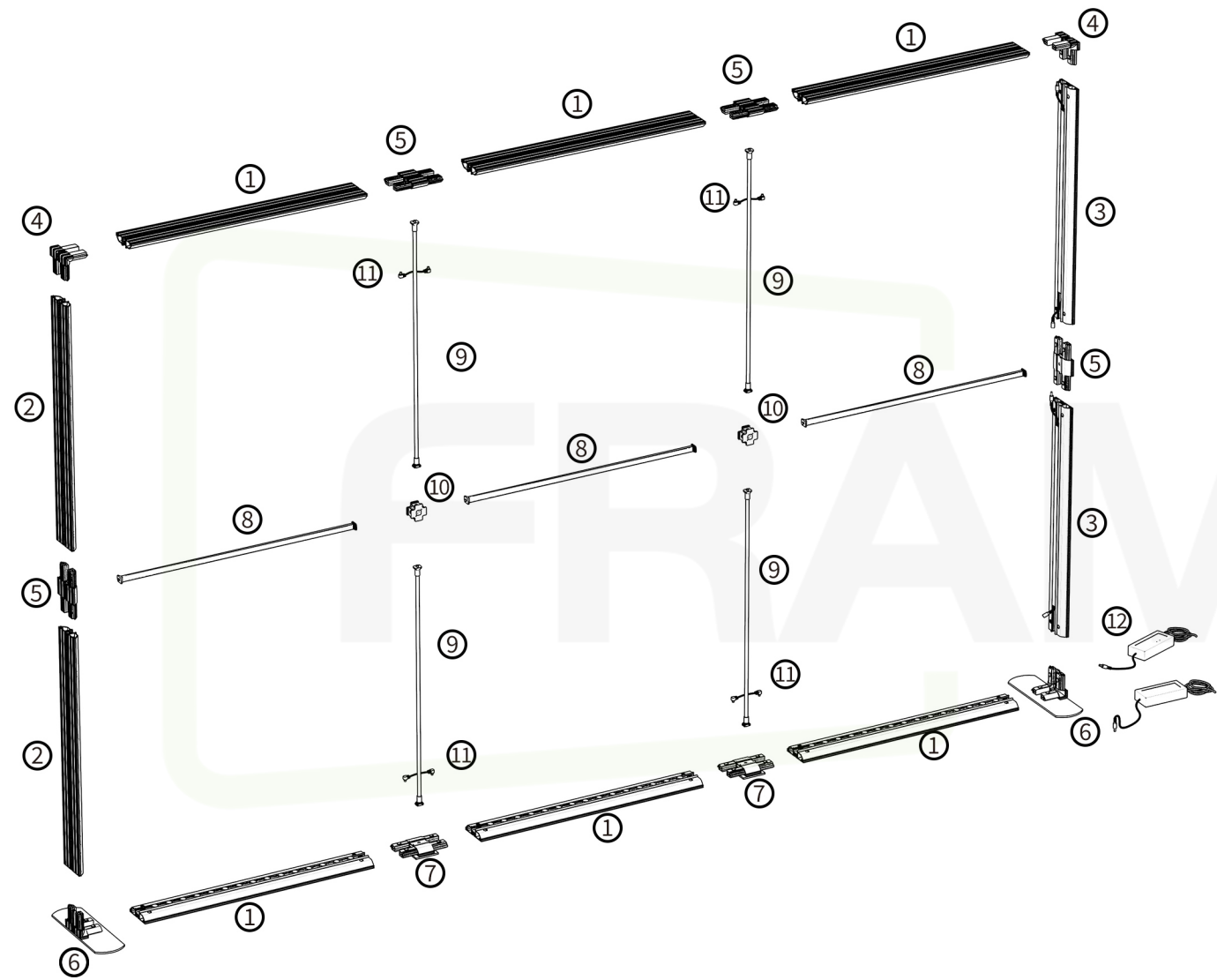
Installation Guide



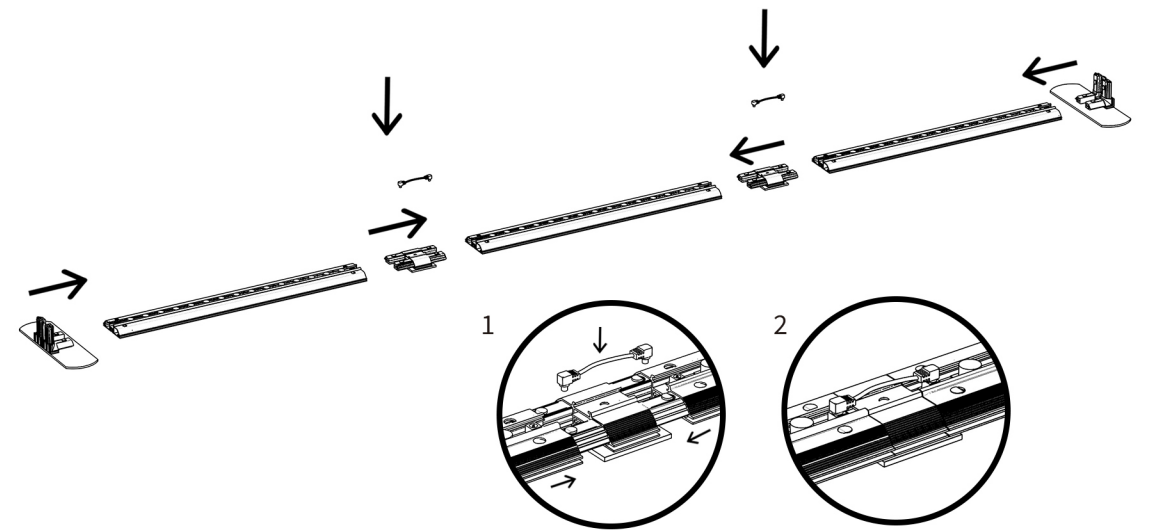
2500/2850/3000X1500(1000+500)
 2500/2850/3000X2000(1000+1000)
 2500/2850/3000X2250(1250+1000)
 2500/2850/3000X2500(1250+1250)



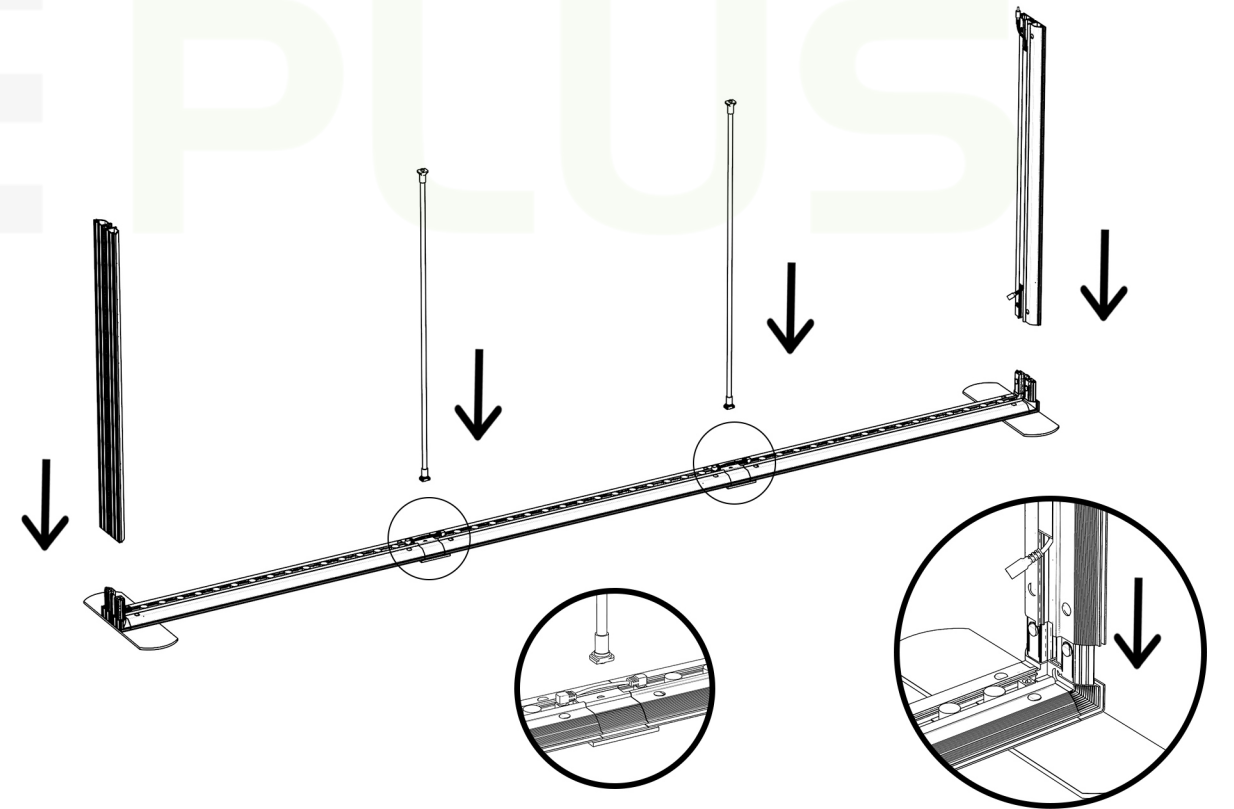
- ①  Horizontal Profile x 6
- ②  Vertical profile x 2
- ③  Extrusion for female & male connecting wire x 2
- ④  Corner Part x 2
- ⑤  Connector Part x 4
- ⑥  Base Foot x 2
- ⑦  Base Foot x 2
Using For Big Size
- ⑧  Support Pole x 3
- ⑨  Round Shape Supporting Pole x 4
- ⑩  Cross Part x 2
- ⑪  Double Male Connecting Wire x 4
- ⑫  Power Supply x 2



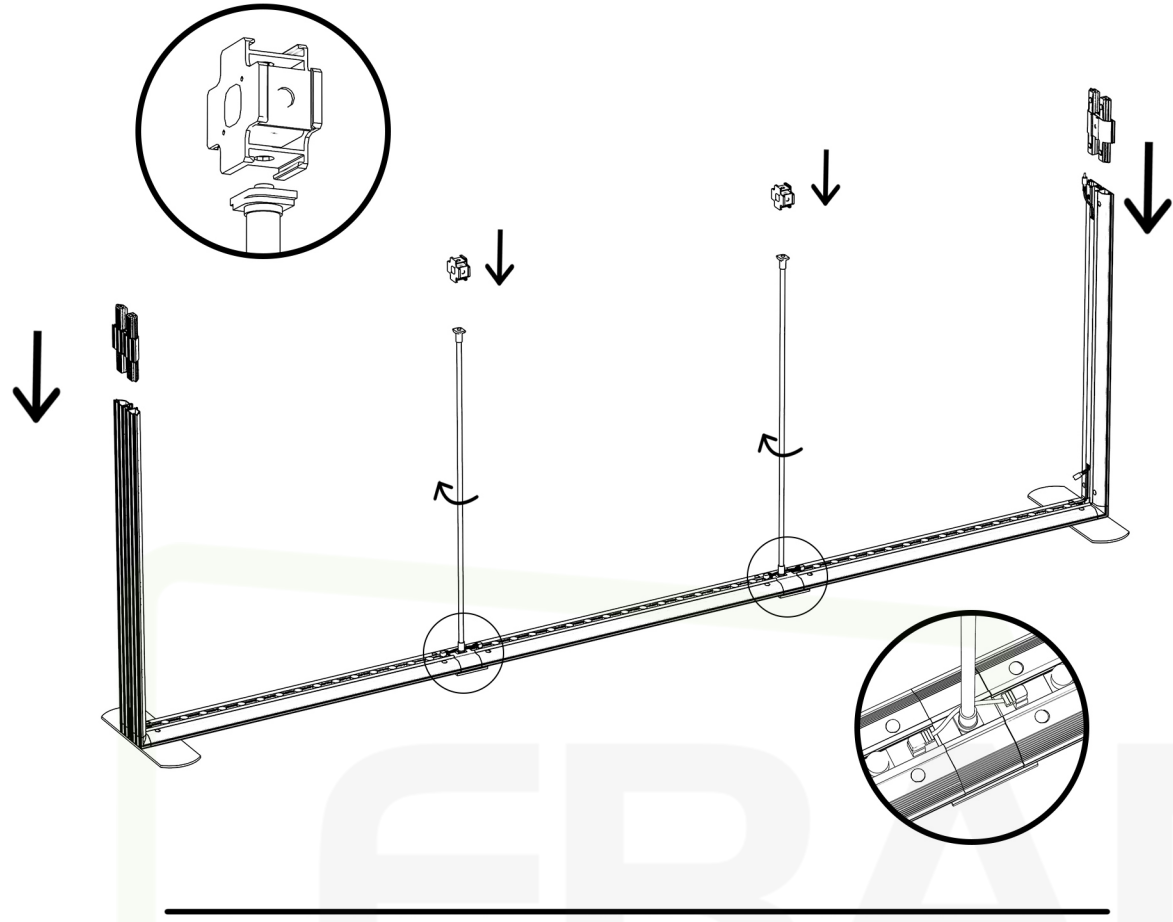
1



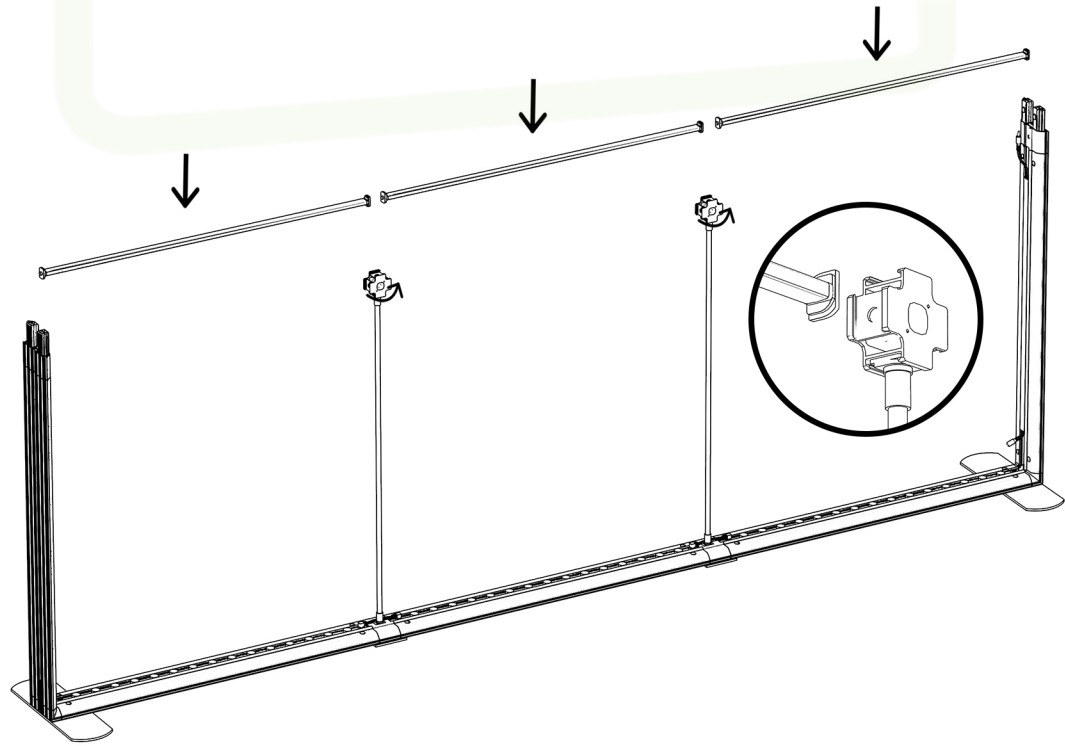
2



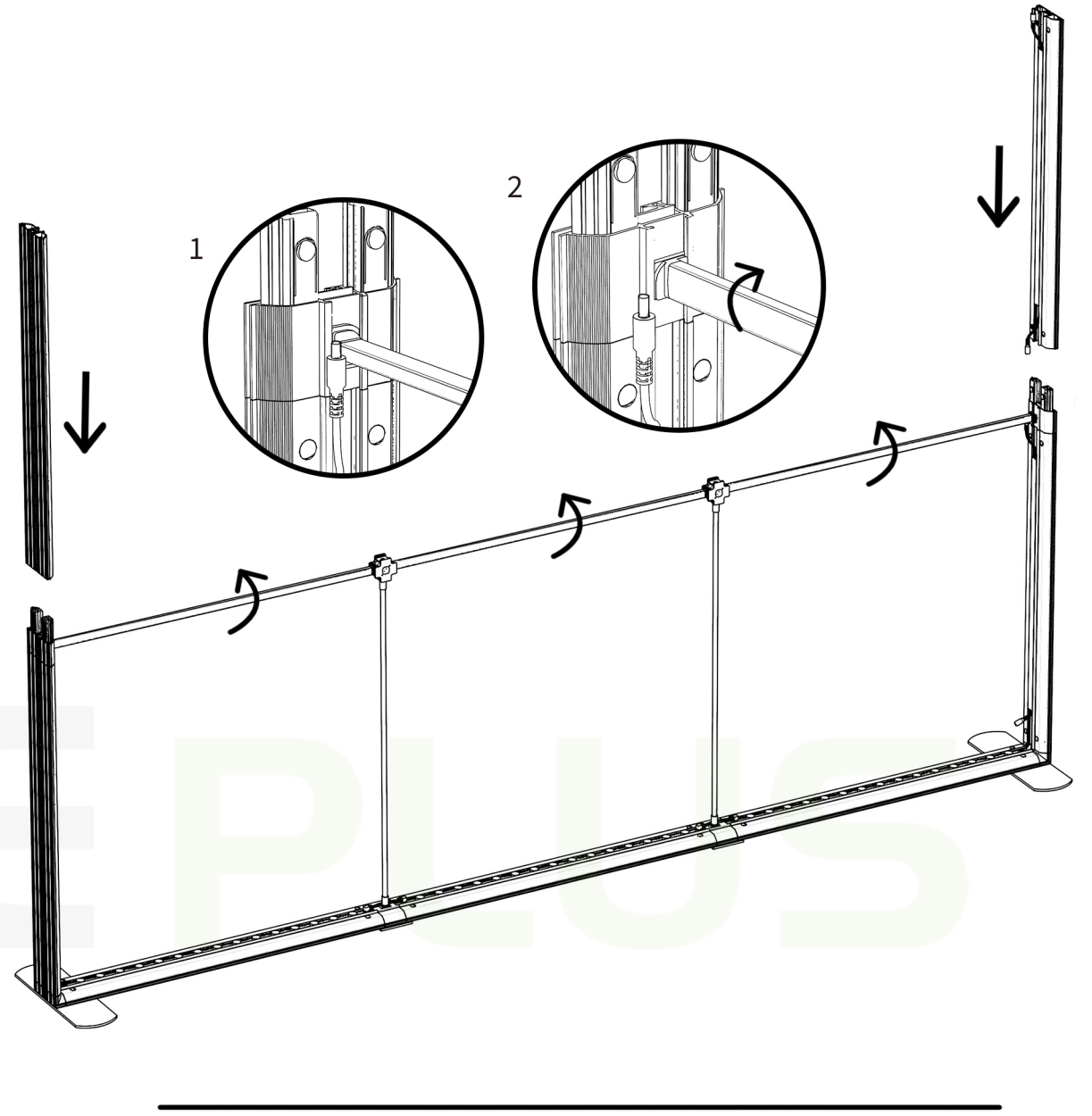
3



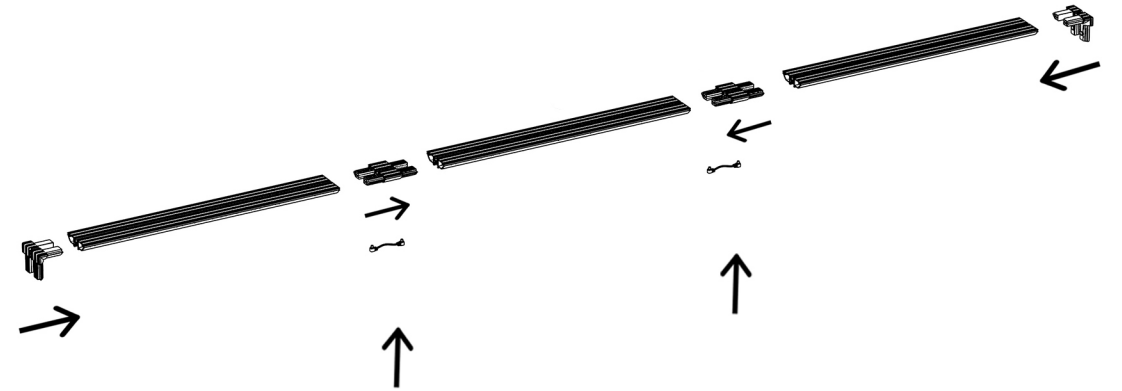
4



5



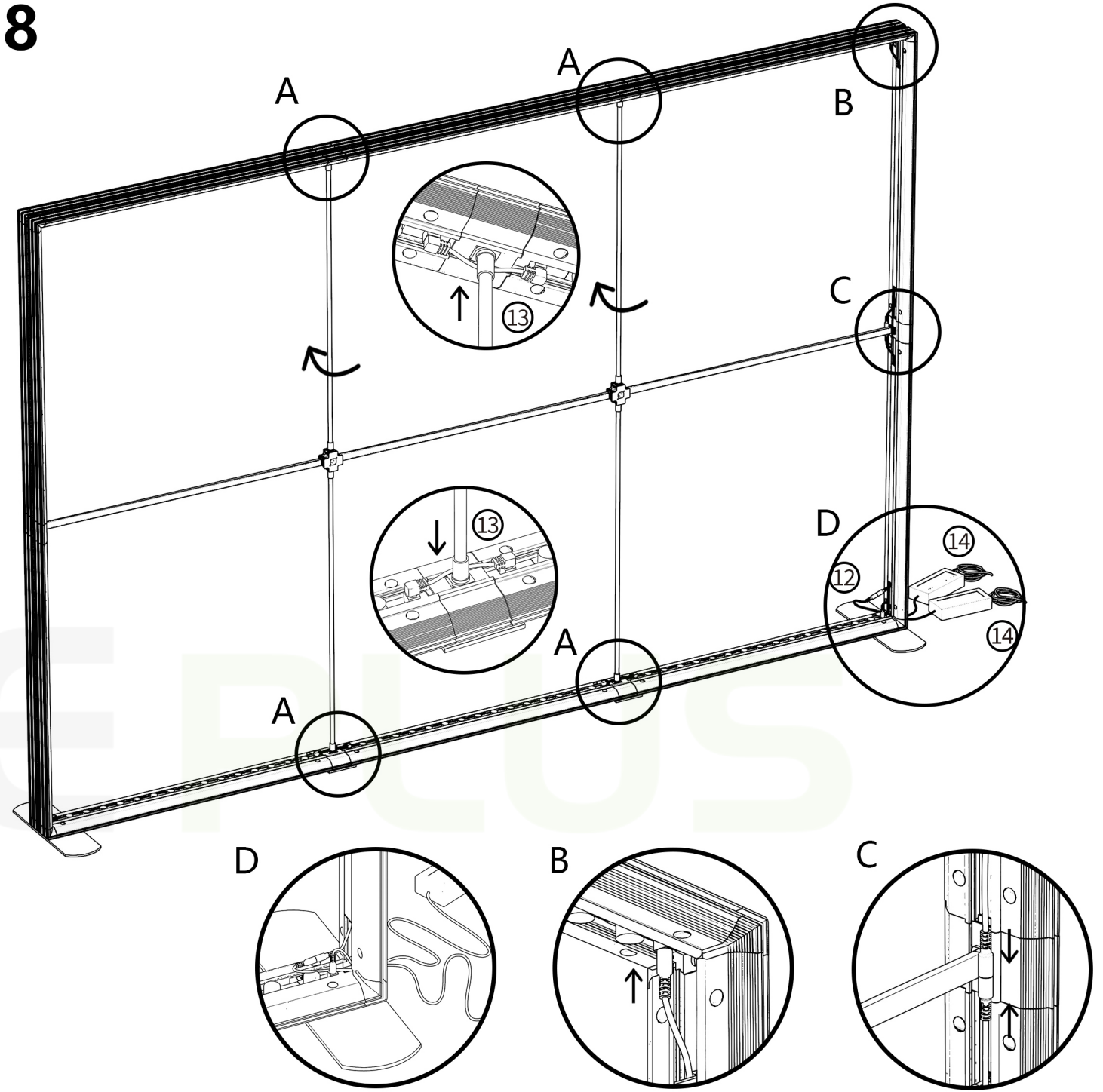
6



7



8



2500/2850/3000X2500(1000+1000+500)
2500/2850/3000X2500(1000+1000+1000)

