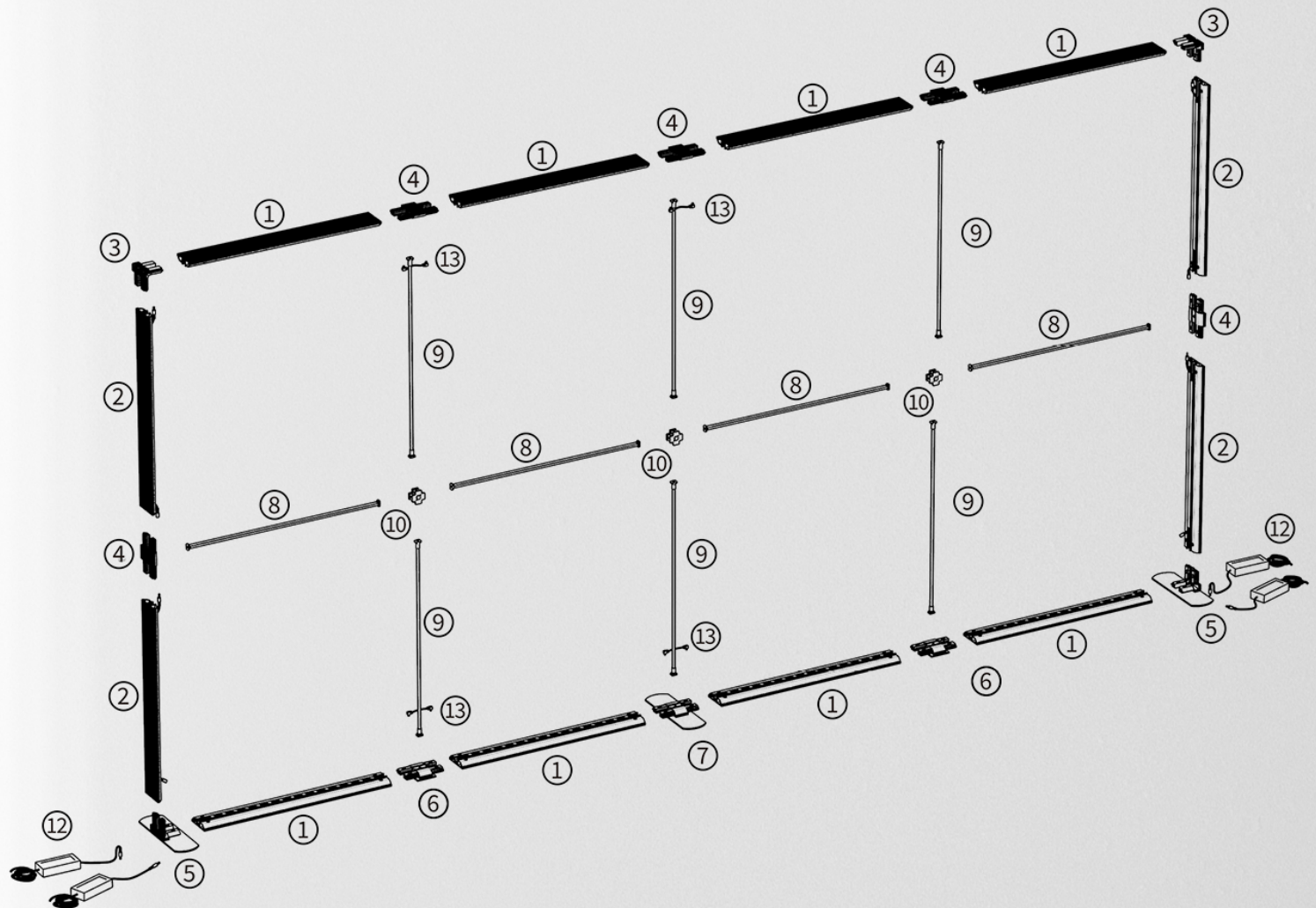
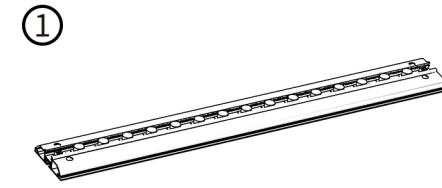
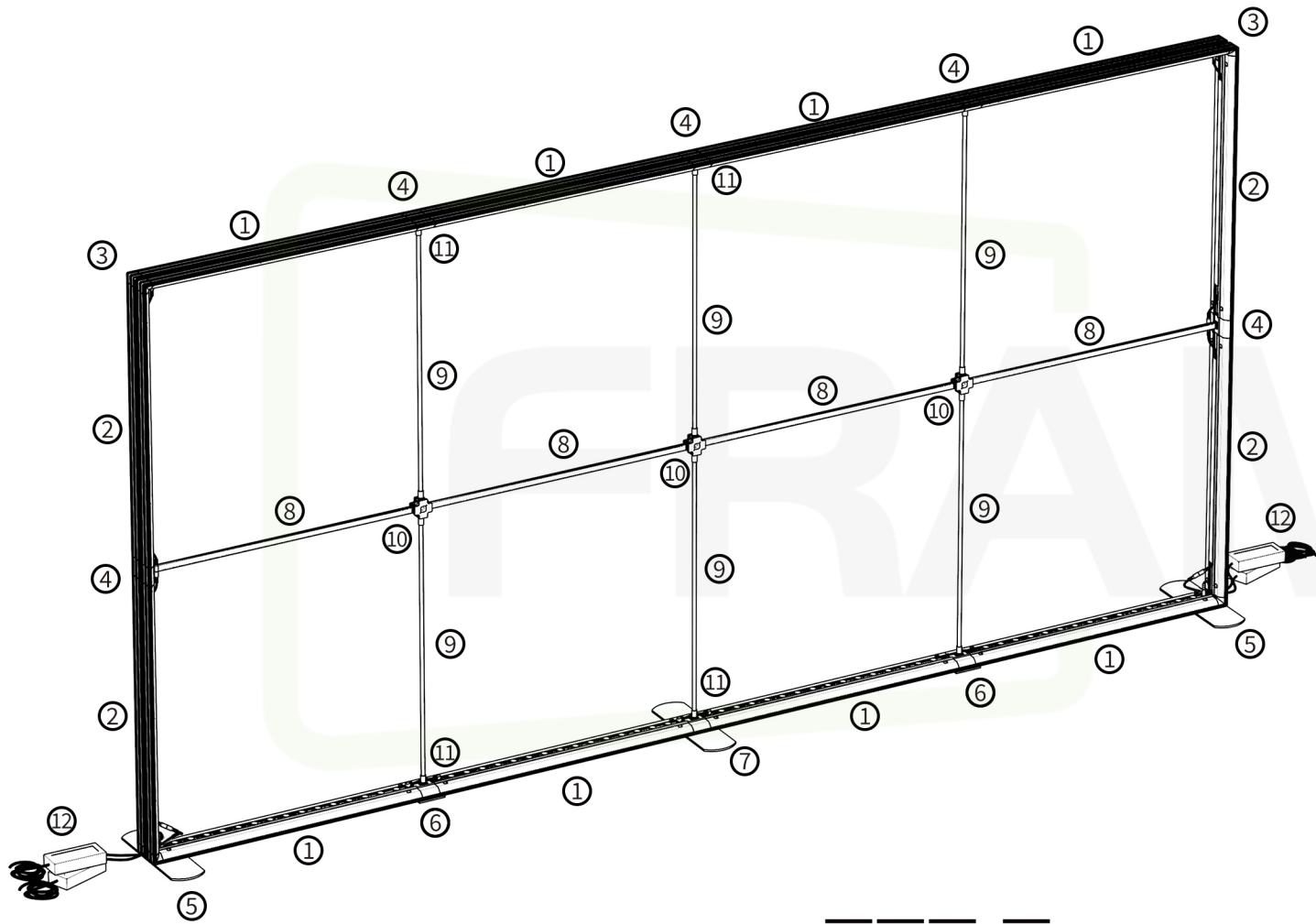


4000mm SEG Lightbox

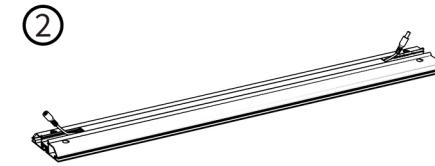
Installation Guide



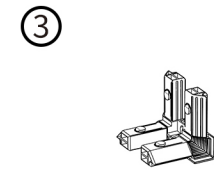
3500/3850/4000X1500(1000+500)
 3500/3850/4000X2000(1000+1000)
 3500/3850/4000X2250(1250+1000)
 3500/3850/4000X2500(1250+1250)



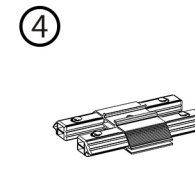
Horizontal Profile x 8



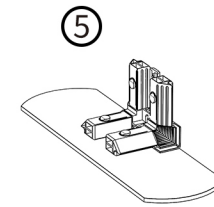
Extrusion for female & male connecting wire x 4



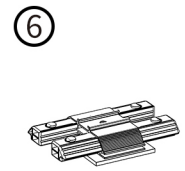
Corner Part x 2



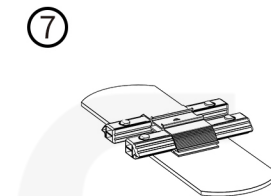
Connector Part x 5



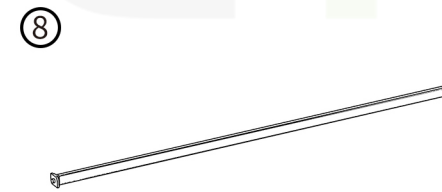
Base Foot x 2



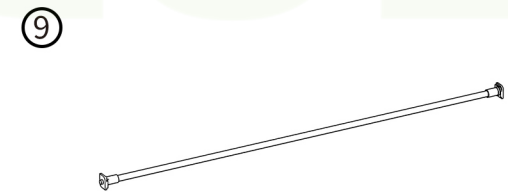
Base Foot x 2
Using For Big Size



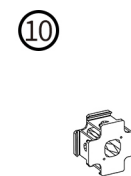
Base Foot x 1
Using For Big Size



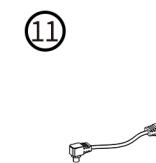
Support Pole x 4



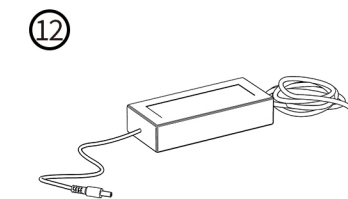
Round Shape Support Pole x 6



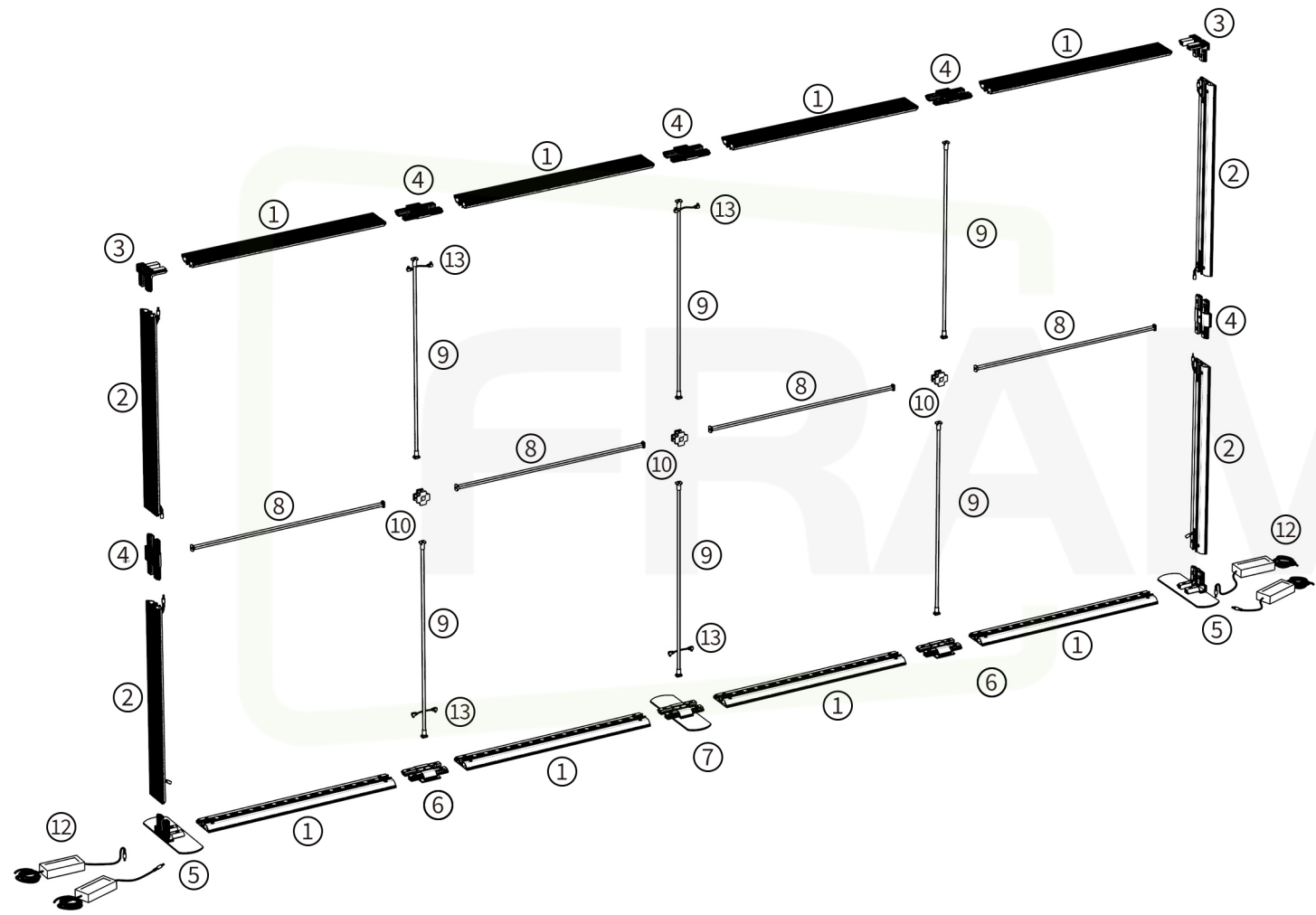
Cross Part x 3



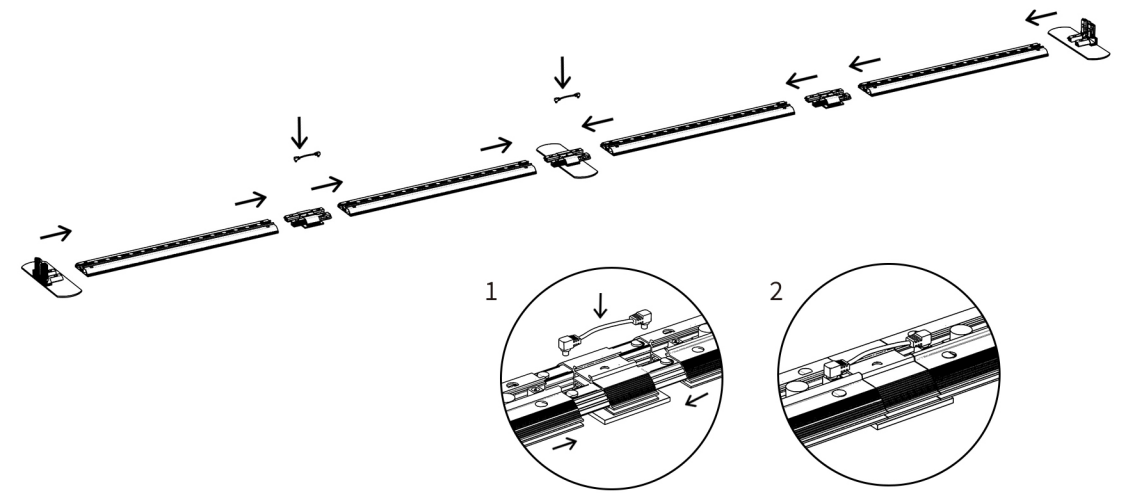
Double Male Connecting Wire x 4



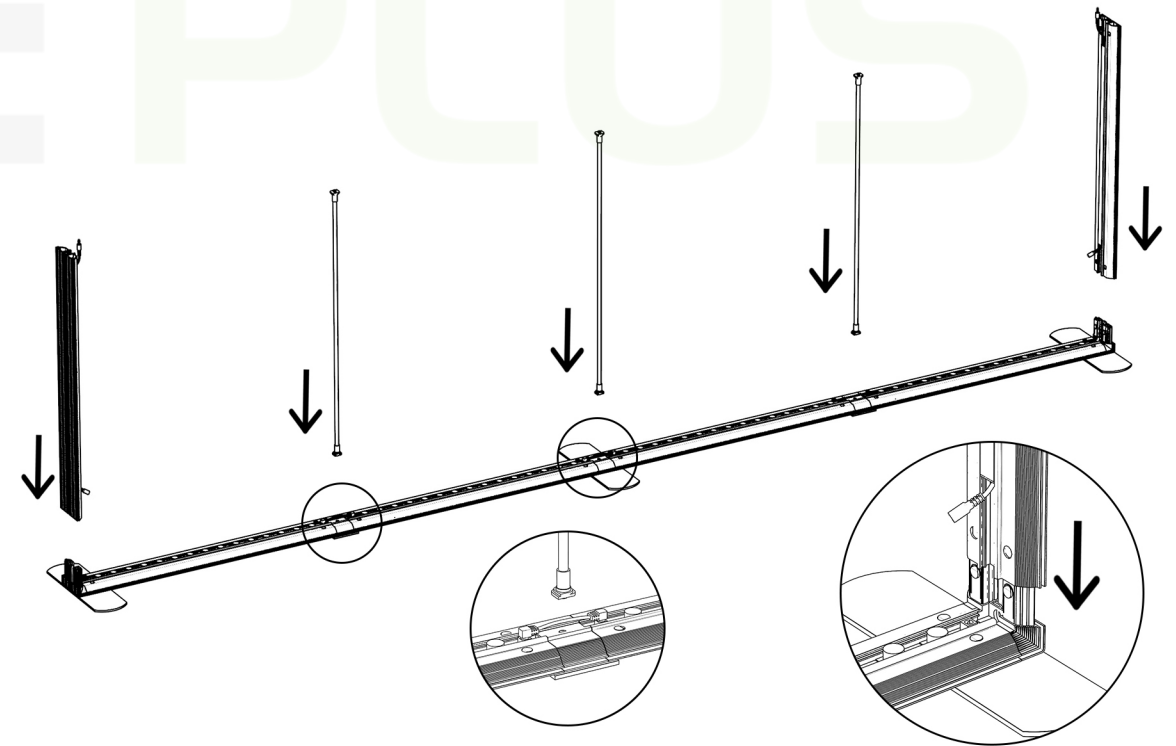
Power Supply x 4



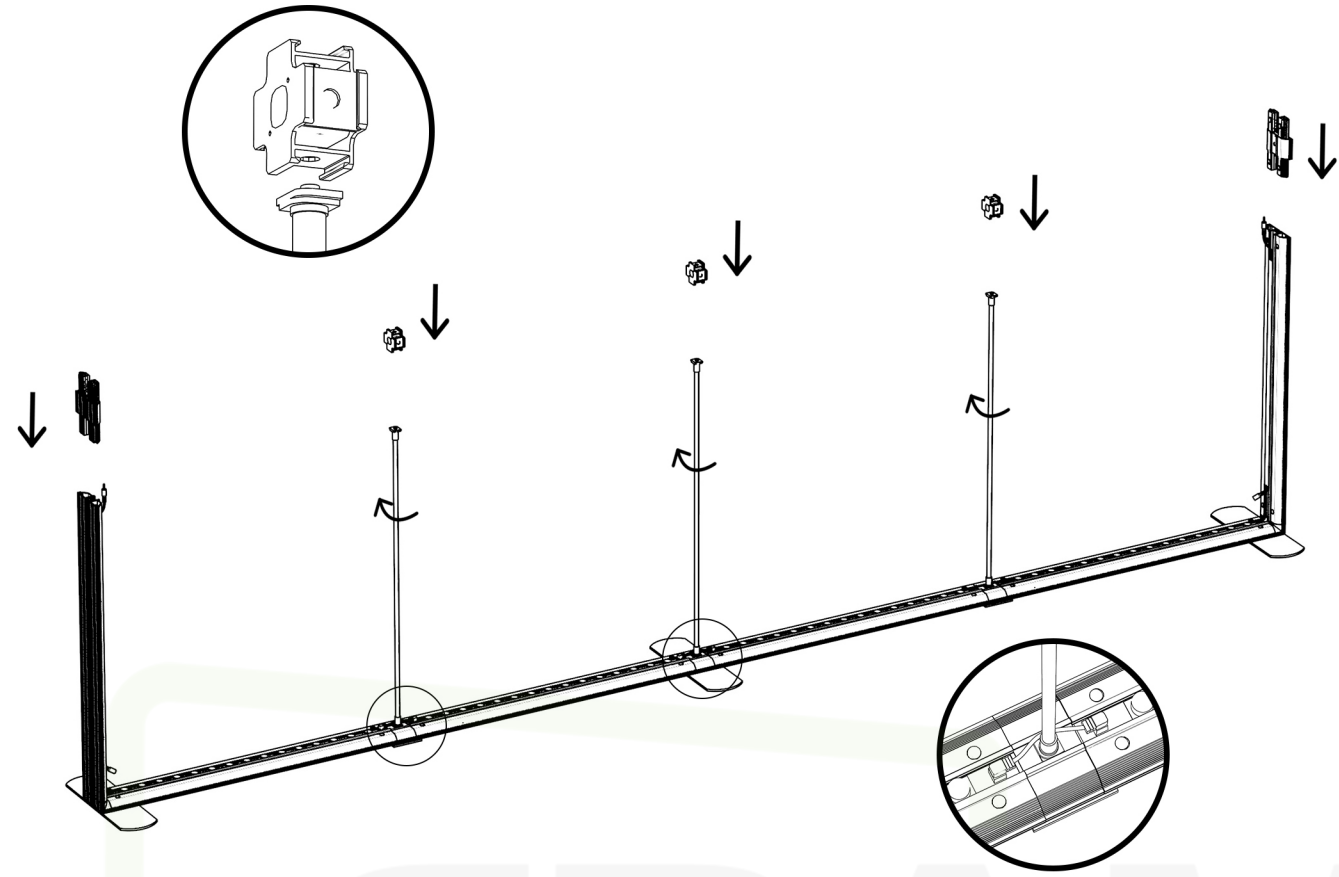
1



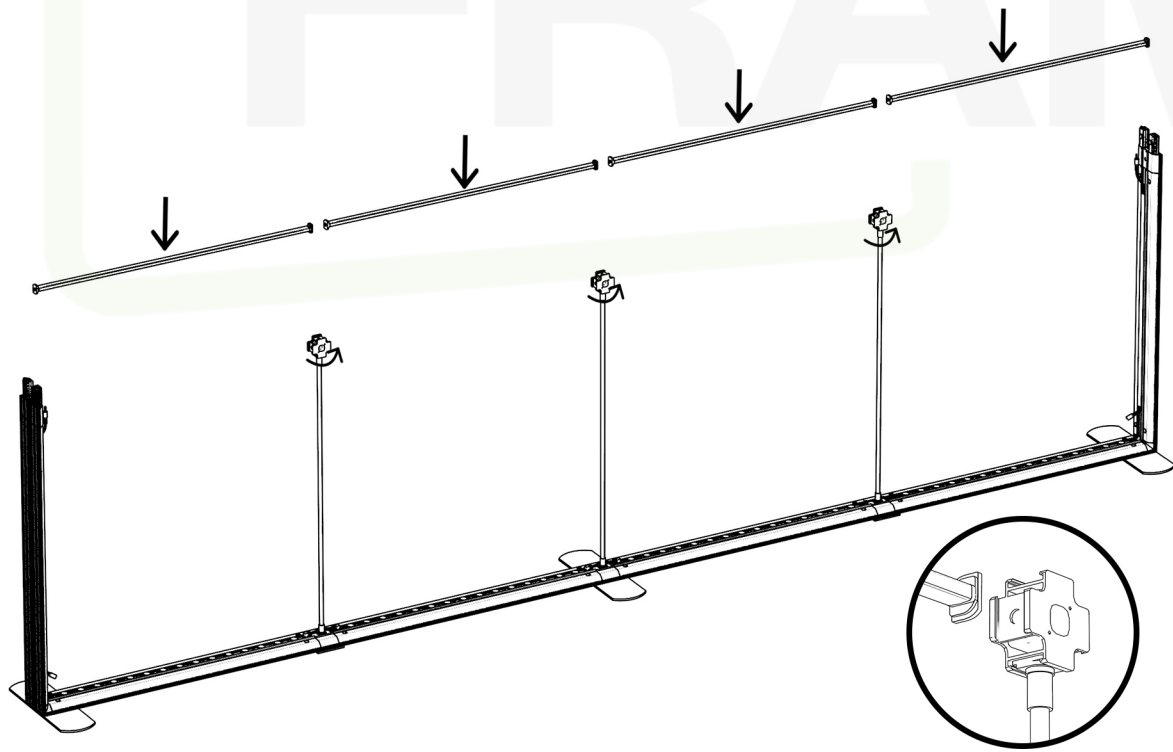
2



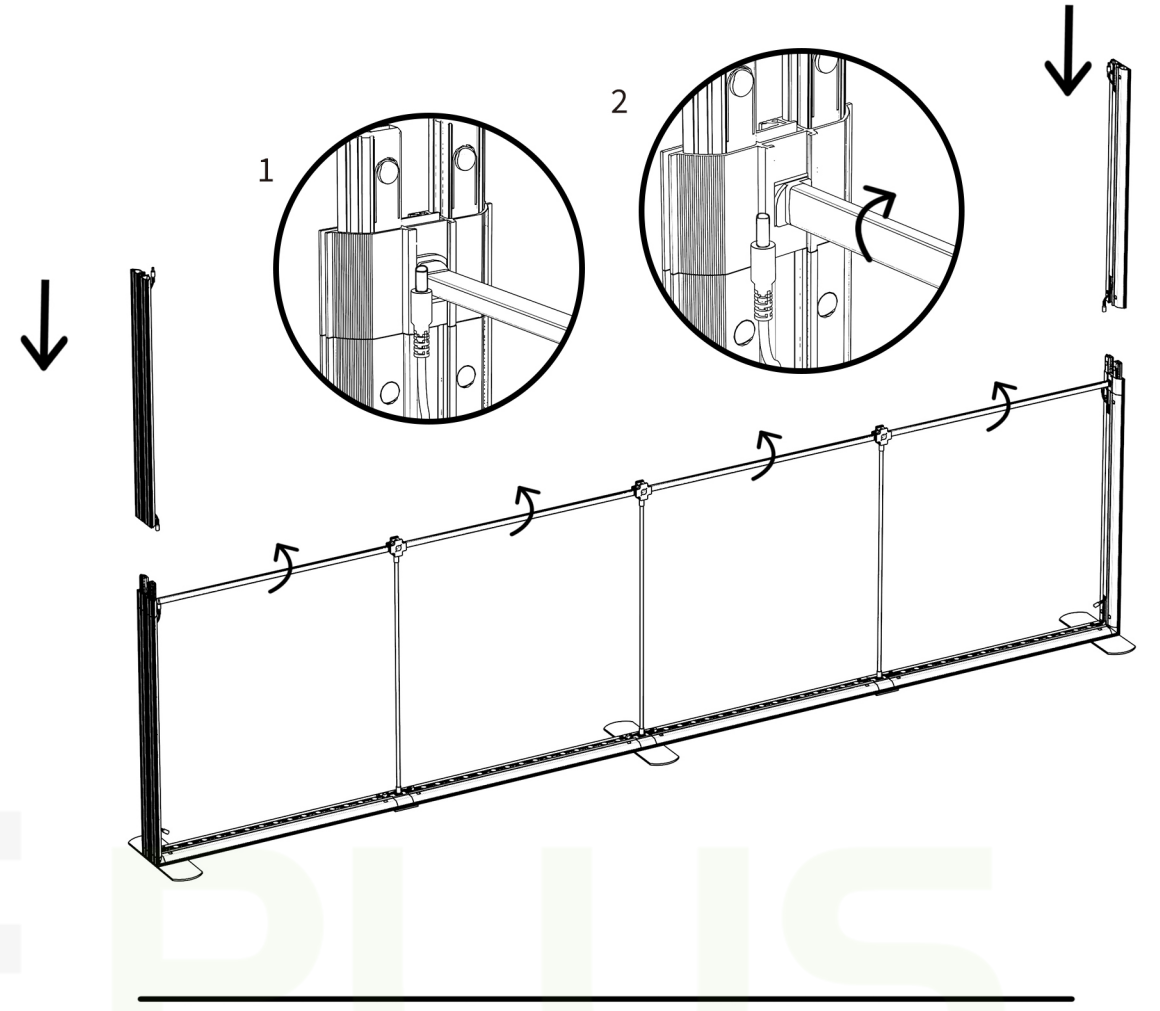
3



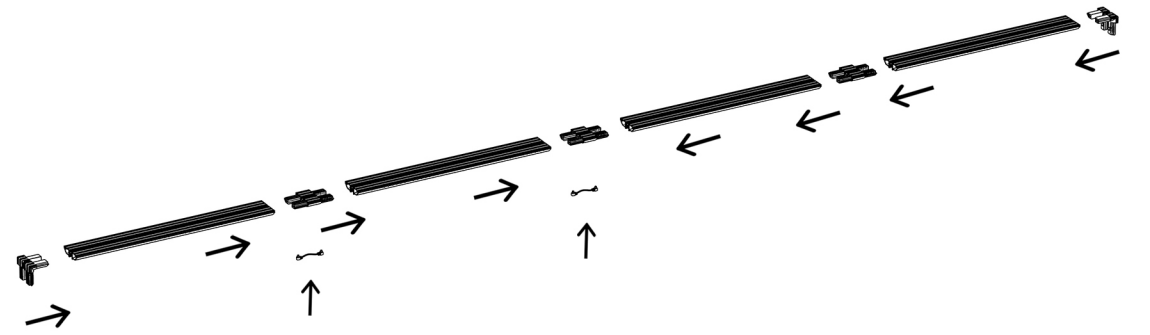
4



5

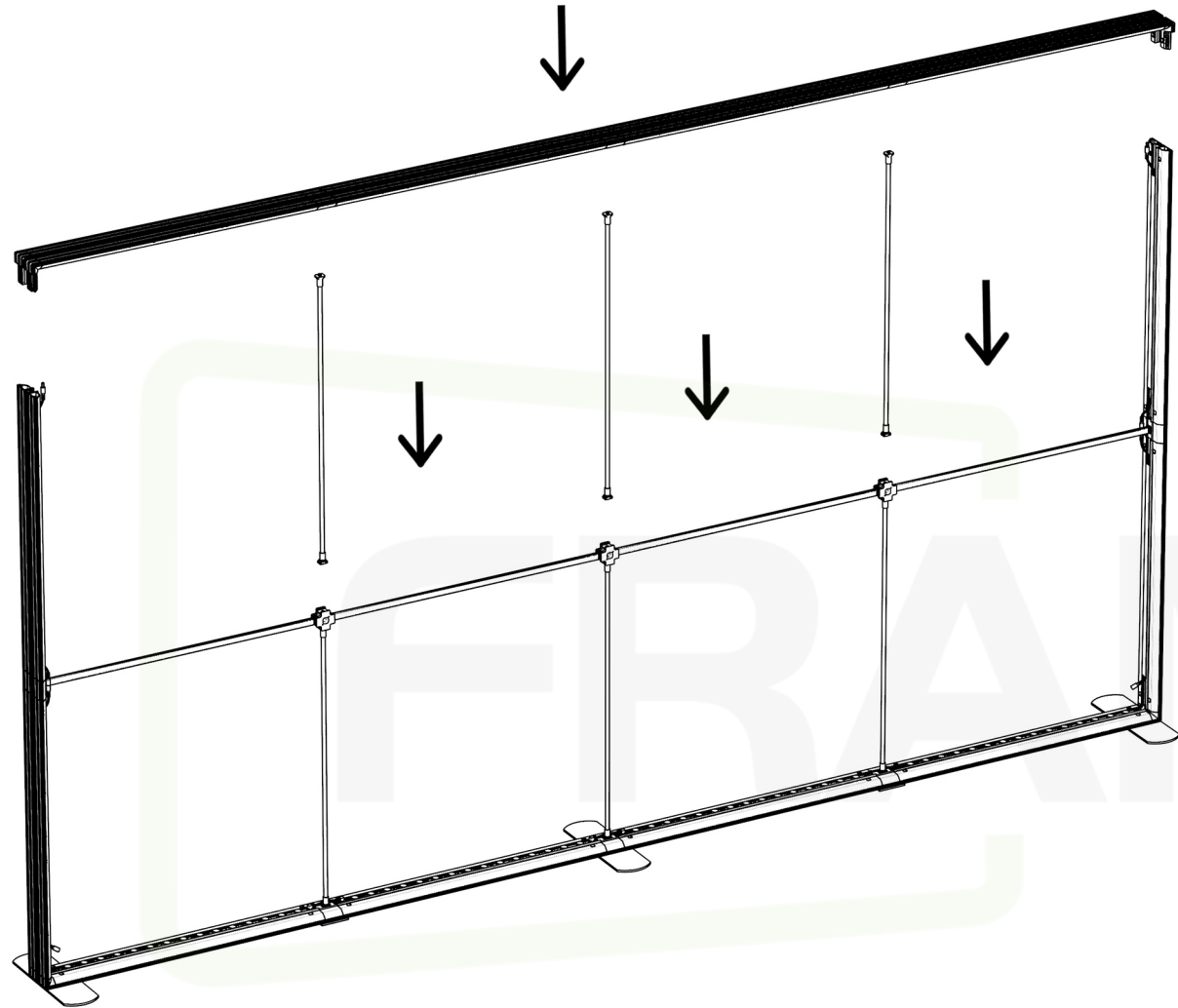


6

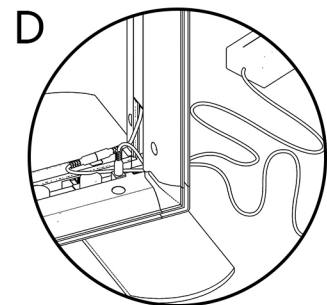
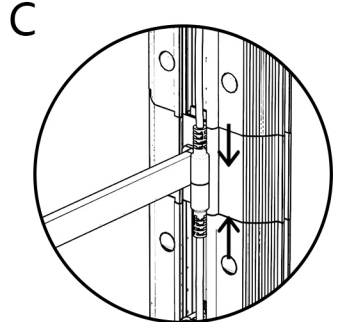
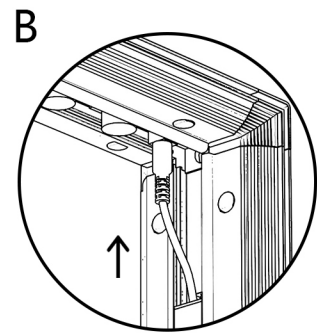
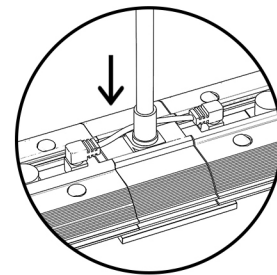
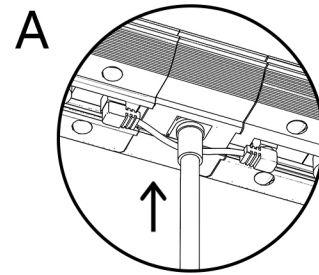
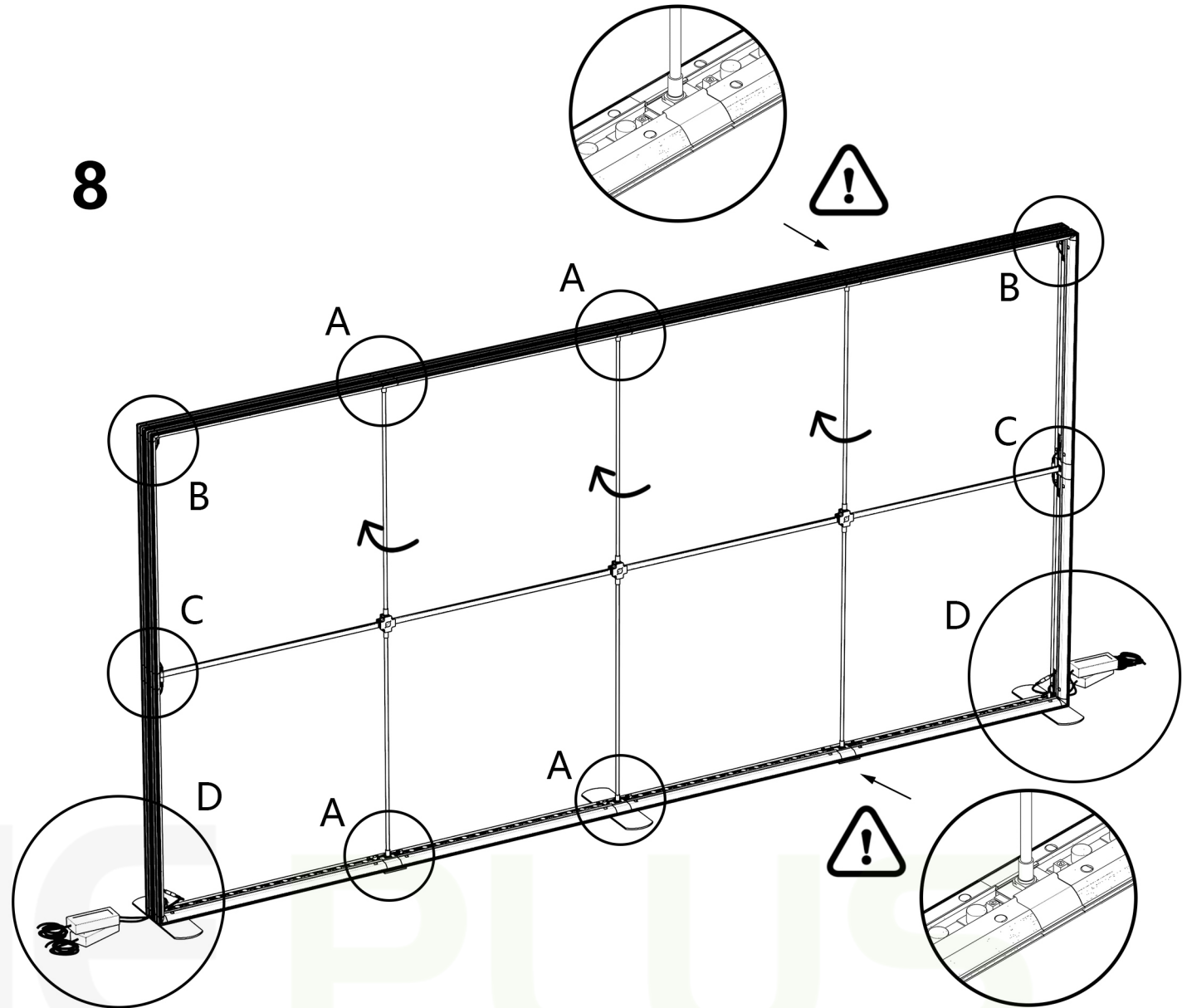


FRAME PLUS

7



8



3500/3850/4000X2500(1000+1000+500)

