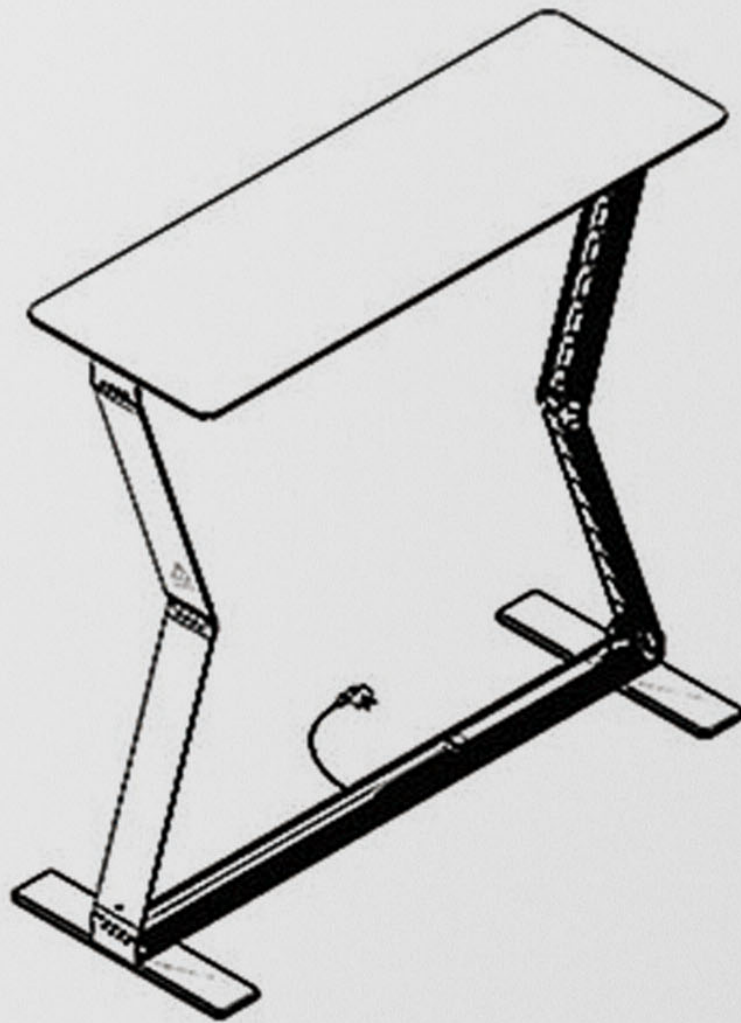


PDF

# Folding | Lightbox Counter

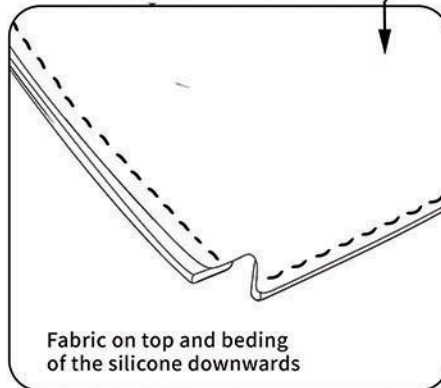
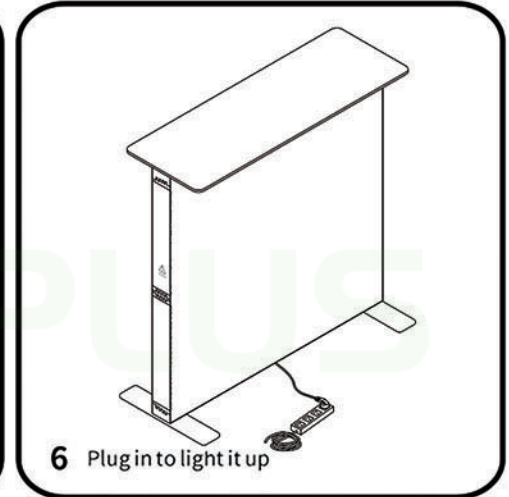
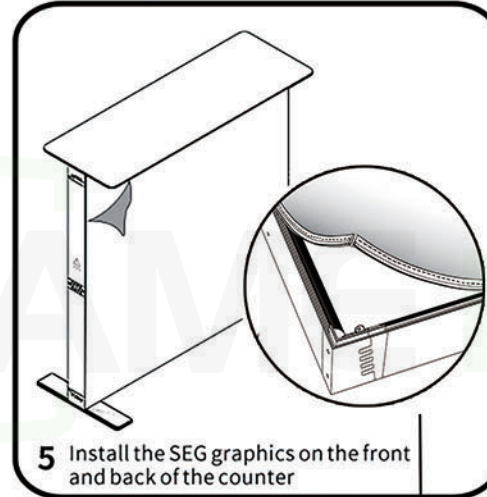
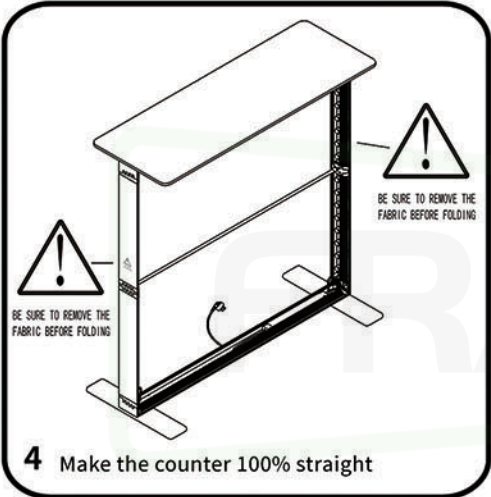
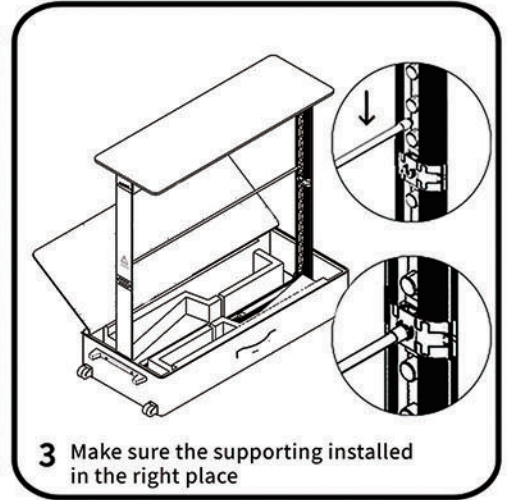
## Installation Guide

---



# INSTRUCTION

## PROMOTIONAL COUNTER



⚠ Note: Steps to put back in the bag  
Be sure to remove the fabric before folding

