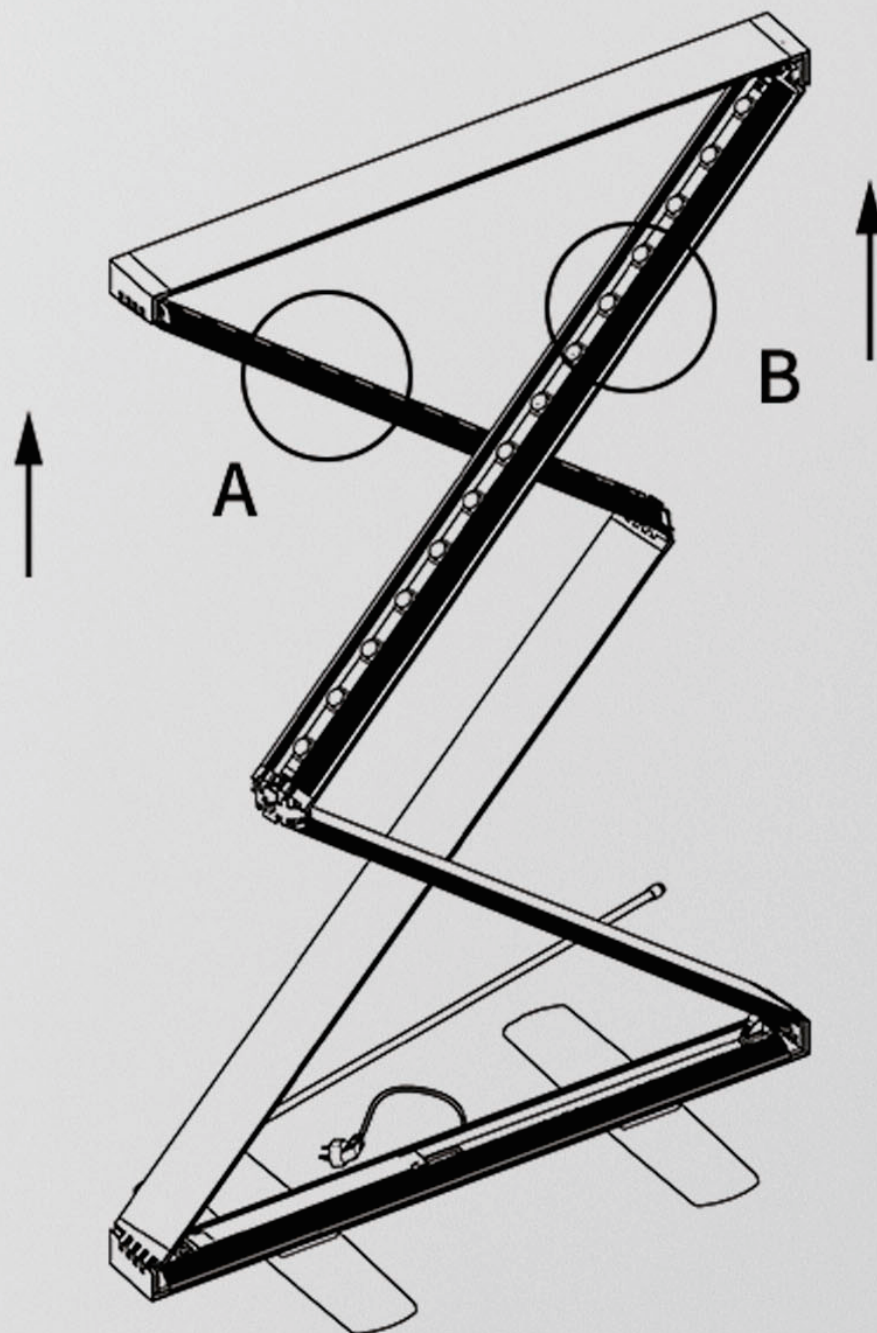
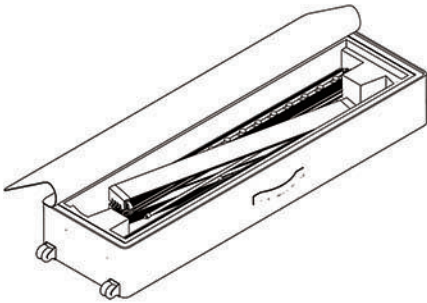


Folding SEG Lightbox

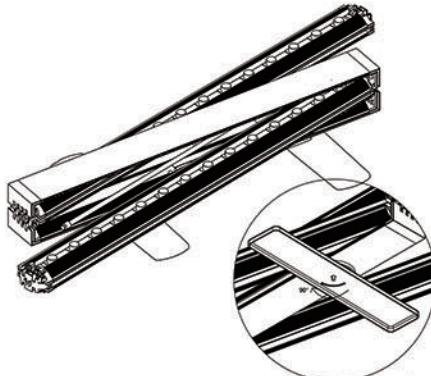
Installation Guide



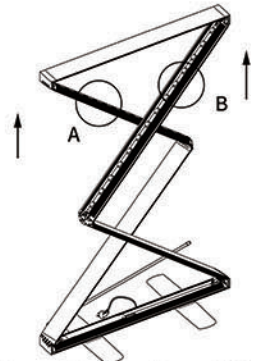
INSTRUCTION



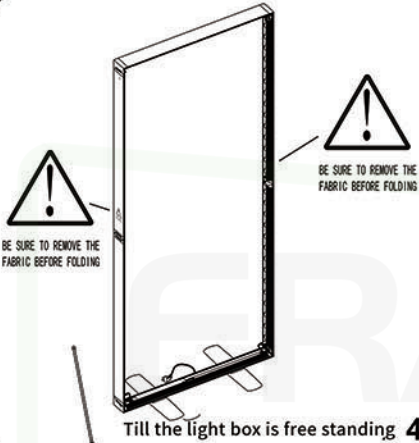
Open the package, the Light box is ready assembled in one piece **1**



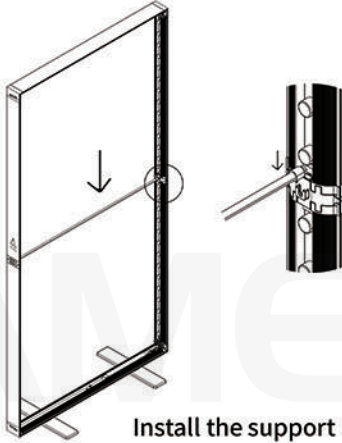
Twist feet with 90 degree **2**



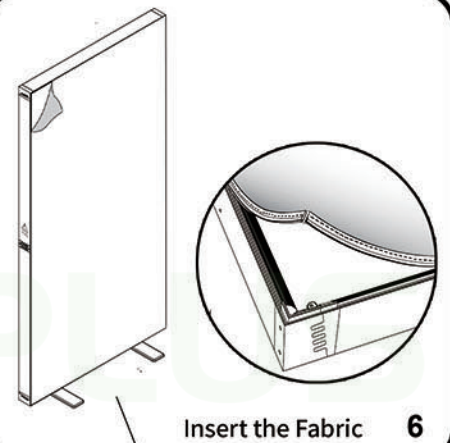
Hold the position A and B to pull the frame up until it the frame is fully stretched **3**



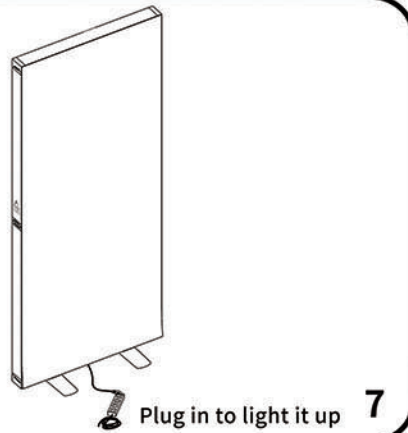
Till the light box is free standing **4**



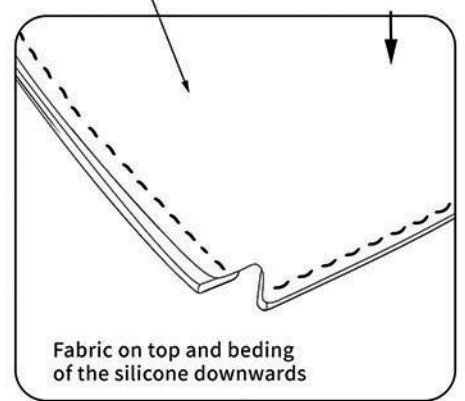
Install the support bar **5**




Insert the Fabric **6**

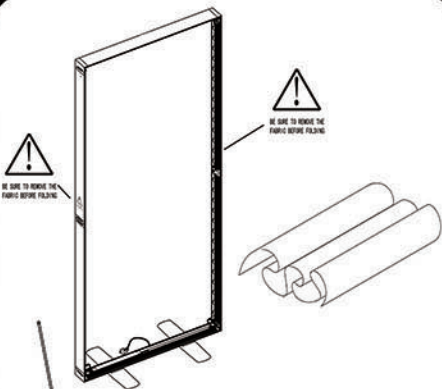


Plug in to light it up **7**

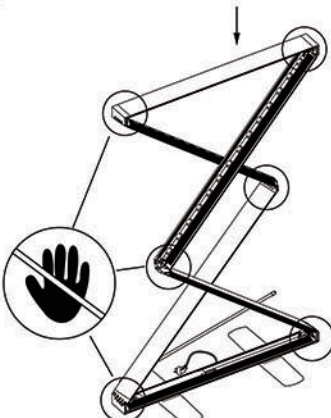


Fabric on top and bedding of the silicone downwards

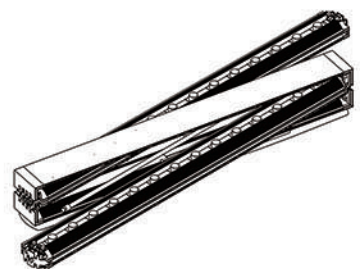
 Note: Steps to put back in the bag
Be sure to remove the fabric before folding



Pull out the plug and graphics **1**



Use the handle to help pulling it down **2**



Put it into the packages after fully folded **3**