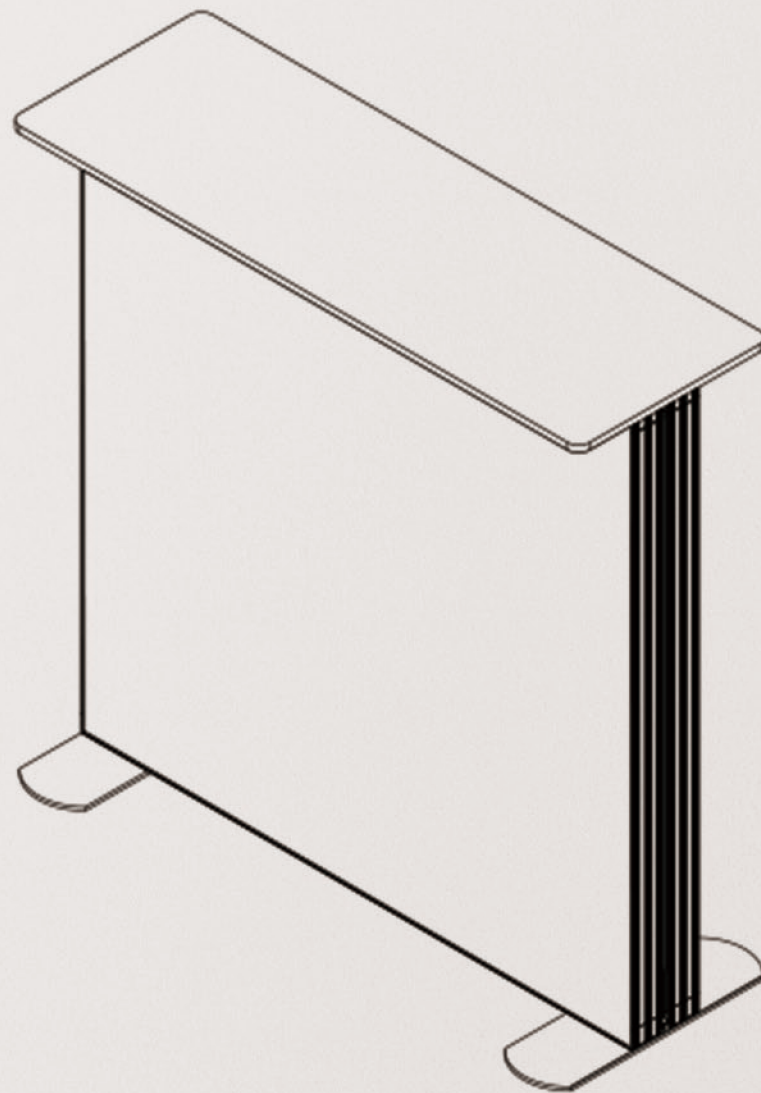


Modular Lightbox Counter

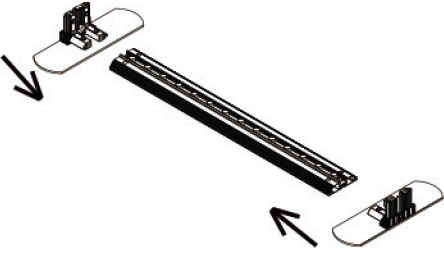
Installation Guide



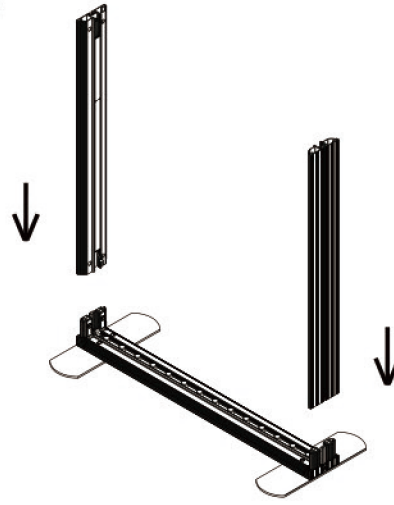
INSTRUCTION

W850/1000*1000

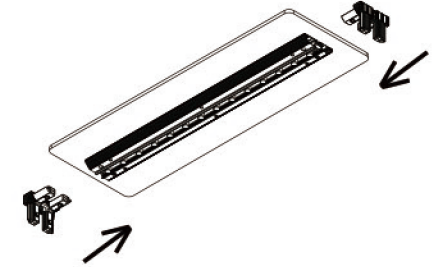
1



2



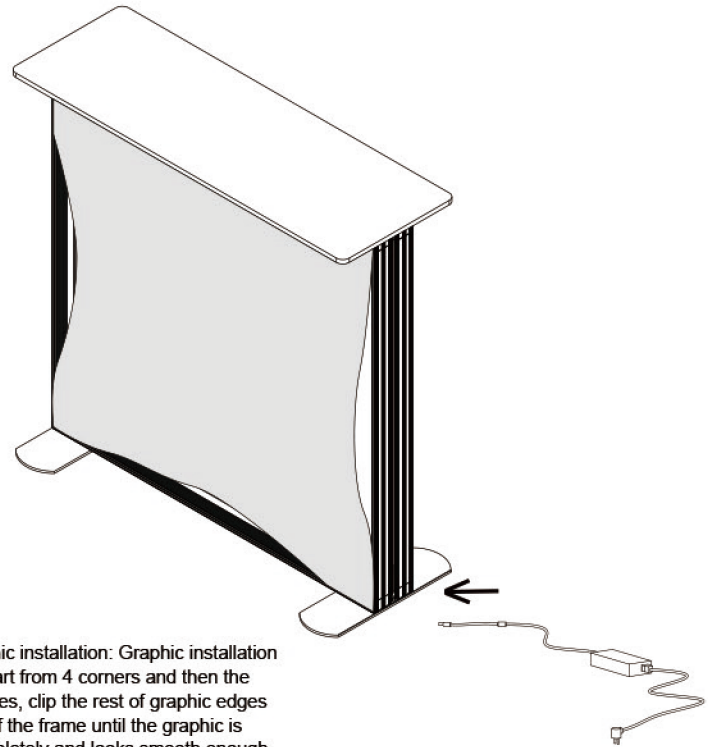
3



4



5



Tips for graphic installation: Graphic installation is better to start from 4 corners and then the middle of edges, clip the rest of graphic edges into the slot of the frame until the graphic is installed completely and looks smooth enough.

